

# Functional davit- system for your boat

**NorDav**<sup>TM</sup>  
NORWEGIAN SWIVEL DAVIT SYSTEM



**1 ft / 33cm cantilever tipping  
pivot point. Its extreme, and only  
available on NorDav<sup>TM</sup>**

# ROBUST AND DURABLE DAVIT SYSTEM, EXCLUSIVE, SLEEK AND DISCREET

NorDav™ is a high-end davit system that simplifies travel with a dinghy or jet-ski on the swim platform. NorDav works well with narrower swim platforms than traditional davits and is capable of handling heavy dinghies and jet skis as well as light rigid hull Inflatables. NorDav™ is the most robust and professional system on the market. Great design, solidly built to outlast your boat. Maintenance free electropolished stainless steel. Designed for performance in use and ease of installation. NorDav™, is davits, only davits.

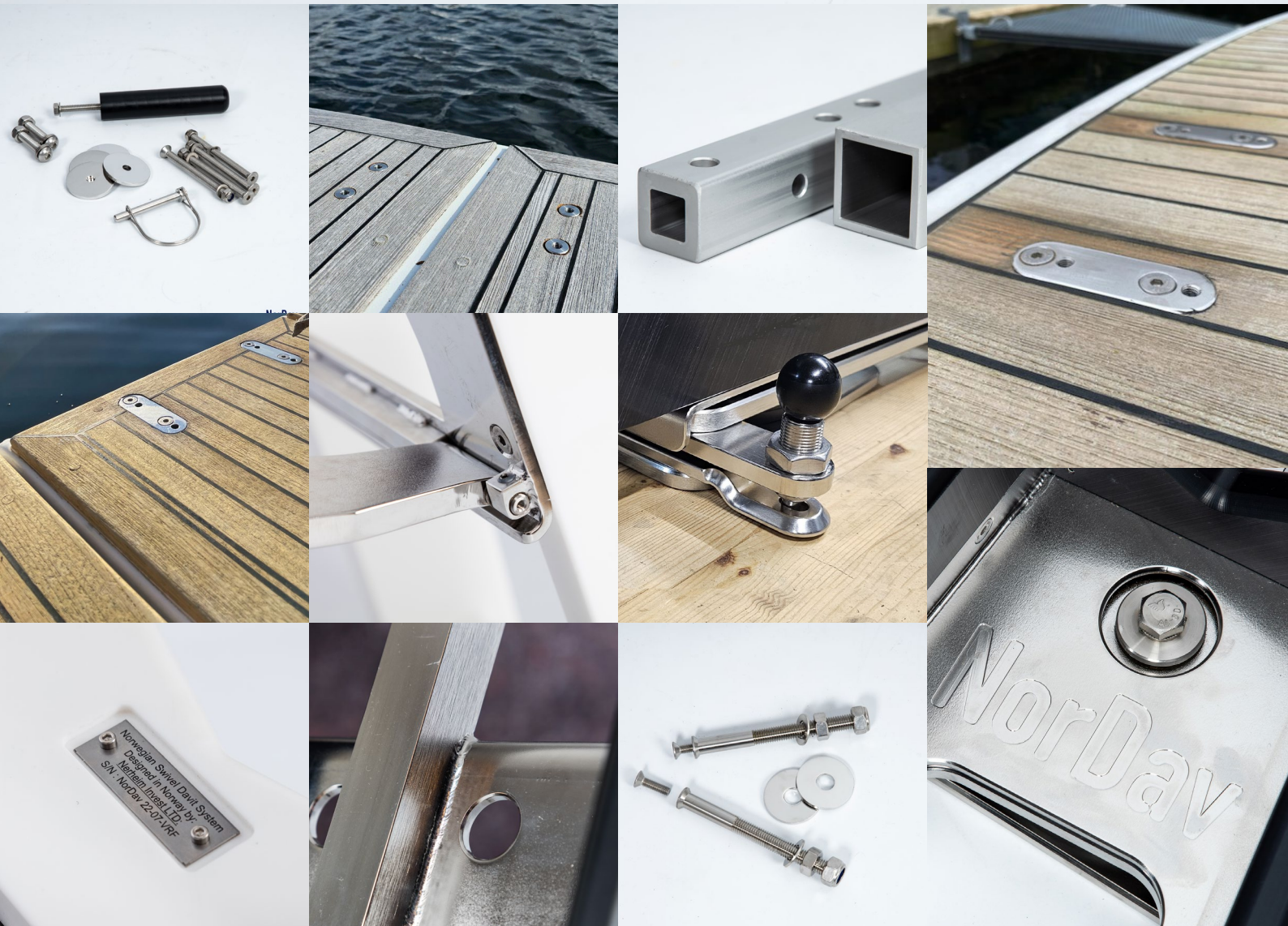


NorDav™ V Duplex with Rotation Lock installed





- H Type: Optimized for jet ski hulls. Compatible with dinghies.
- V Type: Optimized for dinghy" V" keel hulls. Compatible with jet skis, however the H model is recommended for frequent jet ski use.



Designed in Norway  
Visit [nordav.net](http://nordav.net) for the full experience



Cantilevered tipping-point design enables smarter lifting geometry, improving side-lifting capability and expanding the practical tender size that can be handled on vessels with limited swim platform space.

The real differentiator, NorDav™ has the greatest step-out on the market! Increased step-out capacity allows side retrieval which is a great benefit on smaller swim platforms or with longer dinghies

- Easier to use
- Less swivelling with your dinghy on top
- Allow longer dinghy
- No additional platform extension plates required



# Personal watercraft RXT260RS and SPARK, light to heavy weight



## Hasle Summer FUN 365 and River XR350



## Retrival of RIB / dinghy



## Outstanding for dock installation



NorDay is also suitable on dock & quays

## Winch options / Standard Ratch Straps



12VDC winch option

Manual safety winch

Standard jack straps

## Technical data

### Dimensions:

930 x 350 x 150 mm.

### Max. Load Capacity:

500kg/ 1100 lbs

### Weight (Approximate, varies with model)

22-28kg/48-62 lbs

### Material:

#### Support beams

Polyethylene black or white

#### Main bearing swivel frame

Duplex / 316L Stainless steel electropolished

#### Winch pole

Anodised Aluminium

### Additional:

#### Winch type standard

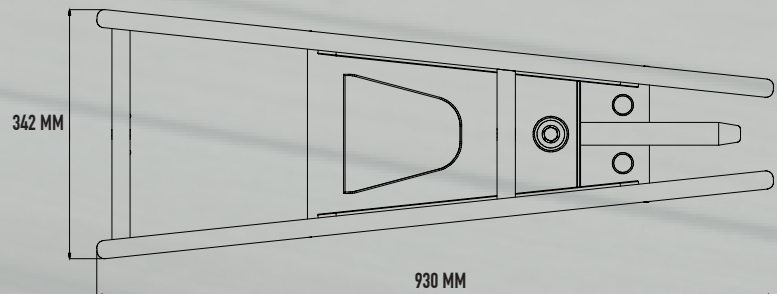
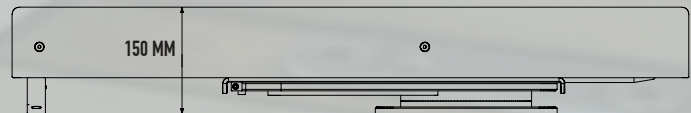
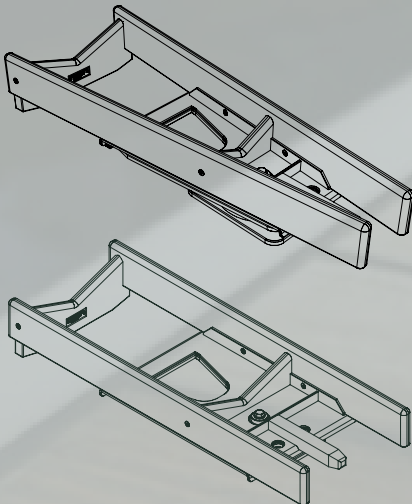
Manual Safety winch with break system (Electric option)

#### Certified

Møllerodden AS

#### Shipping (approximate, varies with model)

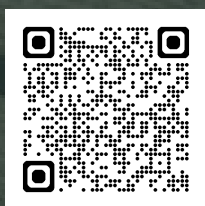
30-35kg / 66-77 lbs / 960 x 360 x 180 mm



- H Type: Optimized for jet ski hulls. Compatible with dinghies.
- V Type: Optimized for dinghy "V" keel hulls. Compatible with jet skis, however the H model is recommended for frequent jet ski use.

Visit us:

[nordav.net](http://nordav.net)



[nordav.net](http://nordav.net)



[facebook.com/NorDav.no](https://facebook.com/NorDav.no)



[instagram.com/nordavdavit](https://instagram.com/nordavdavit)



Chat with us on WhatsApp



WhatsApp



Nerheim Invest AS - org.nr: 933 812 715

Nerheim industriområde

Njordvegen 36

5580 Ølen - Norway

Phone: +47 973 47 055

[sales@nordav.net](mailto:sales@nordav.net) - [www.nordav.net](http://www.nordav.net)



Your local dealer:

**Pharrell Marine**  
Equipment Supplies  
[www.pmarine.com.au](http://www.pmarine.com.au)  
Tel: +61 493 004 844